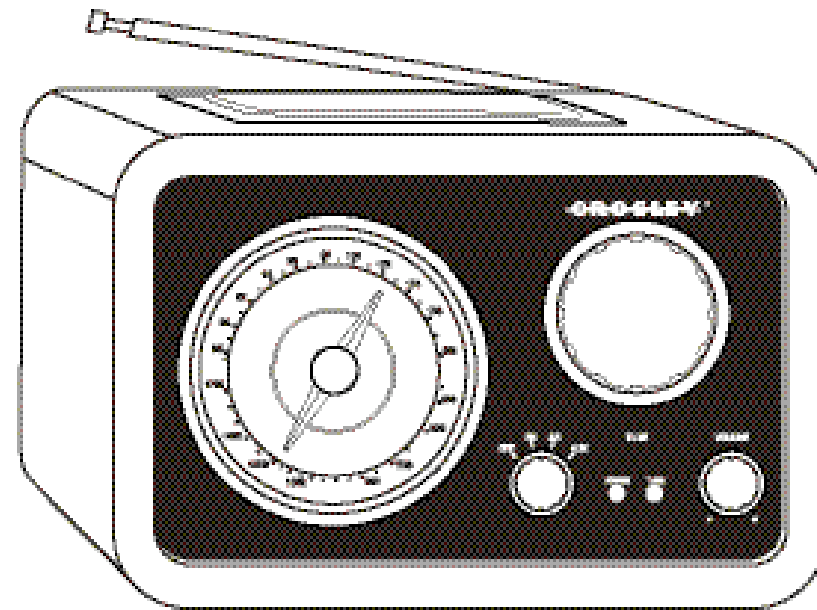



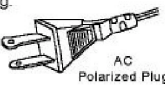
GRO-SLEY

Instruction CR-221
SOLO



IMPORTANT SAFETY INSTRUCTION

PLEASE READ CAREFULLY ALL THE FOLLOWING IMPORTANT SAFEGUARDS THAT ARE APPLICABLE TO YOUR EQUIPMENT

1. Read Instructions - All the safety and operating instructions should be read before the product is operated.
2. Retain instructions - The safety and operating instructions should be retained for future reference.
3. Heed Warnings - All warnings on the product and in the operating instructions should be adhered to.
4. Follow Instructions - All operating and use instructions should be followed.
5. Cleaning - Unplug this product from the wall outlet before cleaning. Do not use liquid cleaners or aerosol cleaners. Use a damp cloth for cleaning.
6. Attachments - Do not use attachments not recommended by the product manufacturer as they may cause hazards.
7. Water and Moisture - Do not use this product near water - for example, near a bath tub, wash bowl, kitchen sink, or laundry tub, in a wet basement, or near a swimming pool, and the like.
8. A product and cart combination should be moved with care. Quick stops, excessive force, and uneven surfaces may cause the product and cart combination to overturn. 
9. Ventilation - Slots and openings in the cabinet are provided for ventilation and to ensure reliable operation of the product and to protect it from overheating, and these openings must not be blocked or covered. The openings should never be blocked by placing the product on a bed, sofa, rug, or other similar surface. This product should not be placed in a built-in installation such as a bookcase or rack unless proper ventilation is provided or the manufacturer's instructions have been adhered to.
10. Power Sources - This product should be operated only from the type of power source indicated on the marking label, if you are not sure of the type of power supply to your home. Consult your product dealer or local power company. For products intended to operate from battery power, or other sources, refer to the operating instructions.
11. Grounding or Polarization - This product may be equipped with a polarized alternating current line plug (a plug having one blade wider than the other). This plug will fit into the power outlet only one way. This is a safety feature. If you are unable to insert the plug fully into the outlet try reversing the plug. If the plug should still fail to fit, contact your electrician to replace your obsolete outlet. Do not defeat the safety purpose of the polarized plug. 
12. Power - Cord Protection - Power - supply cords should be routed so that they are not likely to be walked on or pinched by items placed upon or against them, paying particular attention to cords at plugs, convenience receptacles, and the point where they exit from the product.
13. Lightning - For added protection for this product during a lightning storm, or when it is left unattended and unused for long periods of time, unplug it from the wall outlet and disconnect the antenna or cable system. This will prevent damage to the product due to lightning and power - line surges.
14. Power Lines - An outside antenna system should not be located in the vicinity of overhead power lines or other electric light or power circuits, or where it can fall into such power lines or circuits. When installing an outside antenna system, extreme care should be taken to keep from touching such power lines or circuits as contact with them might be fatal.
15. Overloading - Do not overload wall outlets, extension cords, or integral convenience receptacles as this can result in a risk of fire or electric shock.
16. Object and Liquid Entry - Never push objects of any kind into this product through openings as they may touch dangerous voltage points or short - out parts that could result in a fire or electric shock. Never spill liquid of any kind on the product.
17. Servicing - Do not attempt to service this product yourself as opening or removing covers may expose you to dangerous voltage or other hazards. Refer all servicing to qualified service personnel.
18. Damage Requiring Service - Unplug this product from the wall outlet and refer servicing to qualified service personnel under the following conditions:
 - a. When the power-supply cord or plug is damaged
 - b. If liquid has been spilled, or objects have fallen into the product.
 - c. If the product has been exposed to rain or water.
 - d. If the product does not operate normally by following the operating instructions. Adjust only those controls that are covered by the operating instructions as an improper adjustment of other controls may result in damage and will often require extensive work by a qualified technician to restore the product to its normal operation.
 - e. If the product has been dropped or damaged in any way.
 - f. When the product exhibits a distinct change in performance - this indicates a need for service.
19. Replacement Parts - When replacement parts are required, be sure the service technician has used replacement parts specified by the manufacturer or have the same characteristics as the original part. Unauthorized substitutions may result in fire, electric shock, or other hazards.
20. Safety Check - Upon completion of any service or repairs to this product, ask the service technician to perform safety checks to determine that the product is in proper operating condition.
21. Wall or ceiling Mounting - The product should be mounted to a wall or ceiling only as recommended by the manufacturer.
22. Heat - The product should be situated away from heat sources such as radiators, heat registers, stoves, or other products (including amplifiers) that produce heat.





WARNING: Changes or modifications to this unit not expressly approved by the party responsible for compliance could void the user's authority to operate the equipment.

NOTE: This equipment has been tested and found to comply with the limits for a Class B digital device, pursuant to Part 15 of the FCC Rules. These limits are designed to provide reasonable protection against harmful interference in a residential installation. This equipment generates, uses, and can radiate radio frequency energy and, if not installed and used in accordance with the instructions, may cause harmful interference to radio communications. However, there is no guarantee that interference will not occur in a particular installation. If this equipment does cause harmful interference to radio or television reception, which can be determined by turning the equipment off and on, the user is encouraged to try to correct the interference by one or more of the following measures:

- Reorient or relocate the receiving antenna.
- Increase the separation between the equipment and receiver.
- Connect the equipment into a circuit different from that to which the receiver is connected.
- Consult the dealer or an experienced radio TV technician for help.

WARNING:

TO PREVENT FIRE OR SHOCK HAZARD, DO NOT EXPOSE THIS APPLIANCE TO RAIN OR MOISTURE. DO NOT REMOVE COVER. PILOT LAMPS SOLDERED IN PLACE. NO USER SERVICEABLE PARTS INSIDE. REFER SERVICING TO QUALIFIED SERVICE PERSONNEL.

	CAUTION RISK OF ELECTRIC SHOCK DO NOT OPEN	
CAUTION: TO REDUCE THE RISK OF ELECTRIC SHOCK, DO NOT REMOVE COVER (OR BACK). NO USER - SERVICEABLE PARTS INSIDE. REFER SERVICING TO QUALIFIED SERVICE PERSONNEL.		
	The lightning flash with arrowhead symbol, within an equilateral triangle, is intended to alert user to the presence of uninsulated "dangerous voltage" within the product's enclosure that may be of sufficient magnitude to constitute risk of electric shock to persons.	
	The exclamation point within an equilateral triangle is intended to alert user to the presence of important operating and maintenance (servicing) instruction in the literature accompanying the appliance.	

SPECIFICATION

Frequency Range	: FM 87.5 - 108.5 MHz
	: AM 525 - 1710 KHz
Power Source	: AC 120V ~ 60 HZ
Power Consumption	: 30 W
Antennas	: External FM Antenna
	: Built-in Ferrite Am Bar

* DESIGN AND SPECIFICATIONS SUBJECT TO CHANGE WITHOUT NOTICE.

YOU'RE THERE WITH A CROSLLEY
CROSLLEY RADIO

1220 East Oak Street • Louisville, Kentucky 40204
www.crosleyradio.com

910-242800-001

Welcome

Thank you for purchasing the Crosley Radio CR221 Solo Tabletop Receiver. Before operating this unit, please read this manual thoroughly and retain it for future reference.

Features

AroundSound™ - Your Crosley Solo features our exclusive AroundSound design. Using a single, custom - designed driver, the Solo radio simulates surround sound, creating a warm, ambient tone, regardless of where you may be located with regards to the radio.

Portable Audio Ready - Your Solo radio comes ready to play portable audio products, including mp3 players, satellite radio, gaming devices, cd players, walkmans, - basically anything with a headphone jack!

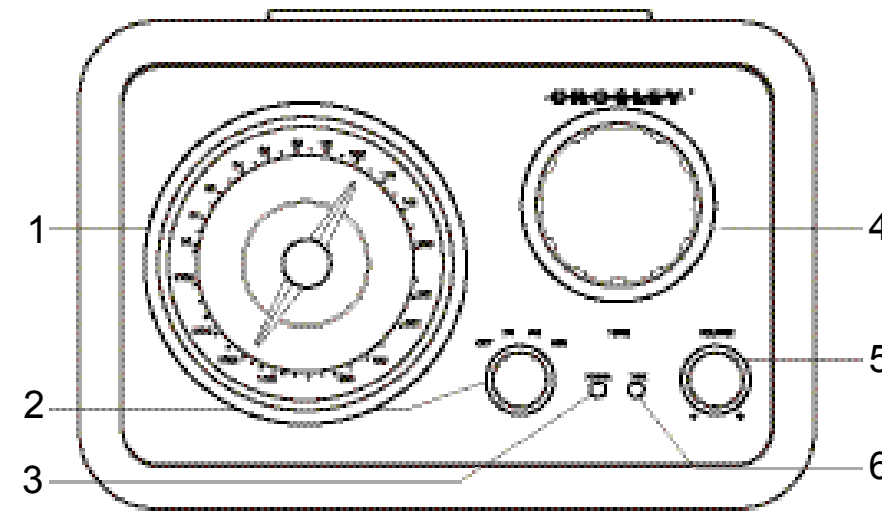
About This Manual

Instructions in this manual describe the controls and functions of the CR221

Table of Contents

<u>Getting Started</u>	
Control Locators	4
Connector Locators	5
Unpacking	6
Set Up	6
<u>Basic Operation</u>	
AM/FM Radio	7
Portable Audio Ready	7
Auxillary Output	7
<u>General</u>	
Troubleshooting Guide	8
Warranty Information	9

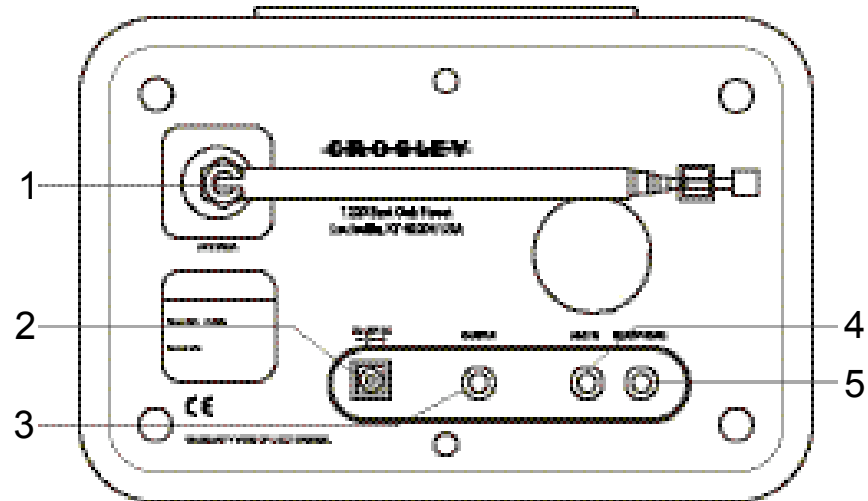
Getting Started



Control Locators

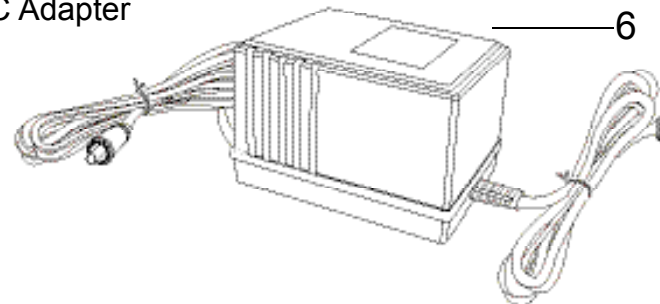
1. Tuner Dial
2. Function Knob
3. Power Indicator
4. Tuning Knob
5. Volume Knob
6. Tuning LED

Getting Started



CONTROL LOCATORS

1. Antenna
2. Power Jack
3. Aux OUT
4. Aux IN
5. Headphone jack
6. AC to DC Adapter



5

Getting Started

Unpacking

1. Remove packing material from unit.
Note: Save all packing materials.
2. Remove plastic bag covering radio.
3. Remove ties from AC to DC power adaptor.
4. Remove supplied audio cable from plastic bag.
Note: Save cable for portable audio component hookup.

Set Up

1. Unwind the AC to DC power adaptor.
2. Plug AC end of the power cord into appropriate outlet.
3. Plug the small end of the power adaptor into the Power Jack in the back of the unit.

6

Getting Started

AM/FM RADIO

1. Turn the Function Knob to the desired tuning band.
The Power Indicator will turn green to indicate the power is turned on.
2. Rotate the Tuning Knob to select the desired station.
The Tuning LED will appear brightest when the best signal is reached. Some weaker but listenable AM stations may not turn on the Tuning LED.
3. Adjust the volume to the desired level by rotating the Volume Knob.
4. Position the antenna for optimum reception.

PORTABLE AUDIO READY

1. Turn the function knob to "AUX". Turn the volume to a lower level.
2. Using the supplied male to male mini pin connector, connect one end to the AUX OUTPUT jack on the back of the unit.
3. Turn on your portable audio device and set the volume on the device to approximately 10% of full volume.
4. Plug the other end into an output or headphone jack on your external device.
5. Begin playback on your external device.
Adjust the volume to your desired listening level on your SOLO.
For more volume, increase the setting on your portable device.

Auxillary OUTPUT

The Auxillary Output feature is designed to let you use your SOLO as an audio source for other components.

1. Using the supplied mini pin connector, connect one end to the OUTPUT JACK (auxiliary output), on the back of your S O L O.
2. Plug the other end into an auxiliary input jack on the desired component.

Note: If the desired component does not have a mini pin input jack, a separate cable will be needed.

Getting Started

Auxillary OUTPUT cont.

3. For information on using the auxiliary input feature of a specific component, refer to the auxiliary input section in the instruction manual of the desired component.
4. Turn the Function Knob to select the desired output; AM, FM, or AUX.
Note: You can still listen to your Comet while using the aux out feature.

Troubleshooting Guide

There is no power

1. Make sure AC to DC power cord is plugged in at the wall and at the back of the unit.
2. Check that the Function Knob is not in the OFF position.

There is no sound

1. Make sure the Function switch is not in the AUX position.

The sound is distorted.

1. Adjust the tuner and/or antenna to improve the signal strength. Under certain circumstances, the reception may be improved by relocating the unit.
2. When using the "Aux in" plug, turn off any eq settings on the portable device.
3. Check the volume level of external device if listening to auxiliary input. It should be set as low as possible.

Warranty

Crosley Radio Products are warranted against defects in material and workmanship for a period of 1 Year beginning from the date of sale to the original purchaser.

Should the unit fail under normal usage during the 1 Year warranty period, a request for RETURN AUTHORIZATION (R.A.) must be made by the original customer before returning the unit. Call Crosley Radio customer service for Return Authorization at (502) 583-4246 from 9 AM to 5 PM (EST) Monday to Friday.

Upon receiving the RETURN AUTHORIZATION number from the Customer Service Department, properly pack your unit in its original packaging. Include any adapters, parts, & accessories which were originally provided with the product, along with a check or money order for \$19.95 made out to Crosley Radio to cover the handling and return postage. Display the R.A. # on the outside of the carton and ship PREPAID via standard UPS or its equivalent.

**CROSLEY
RADIO**

ATTN: RETURNING DEPT
2001 PRODUCTION DRIVE
BAY 2 & 3
LOUISVILLE, KY 40299

CROSLEY RADIO assumes no responsibility for units sent without prior Return Authorization.
The purchaser's bill of sale is the only proof of warranty entitlement and must accompany the unit.

The warranty does not cover damage due to acts of nature, accident, misuse, abuse, negligence, commercial use or modification of, or to any part of the product. This warranty does not cover damage due to improper operation or maintenance, connection to improper voltage supply, or attempted repair by anyone other than a facility authorized by Crosley Radio to service the product. This warranty does not cover products sold AS IS or consumables (such as fuses or batteries). This warranty is valid only in the United States.

This warranty gives the purchaser specified legal rights in addition to any rights which may vary from state to state.

In accordance with the "Moss-Magnuson Warranty Act" of July 10, 1975, this is termed a "limited warranty" which in no way compromises Crosley Music Wurks, high standards of Quality and Workmanship.



1220 East Oak Street
Louisville, Kentucky 40204